

VACUUM HOSE REELS **V SERIES**

COXREELS® V Series spring driven and hand crank vacuum hose reels are available in both vacuum only and vacuum/pneumatic combinations. Both are designed to extract unwanted fumes, particles and by-products from your work area. The vacuum/pneumatic models have dual plumbing for vacuum extraction while simultaneously powering pneumatic tools such as grinders and Sanders in an enclosed efficient system.

V100 SERIES MODELS

LESS HOSE								SIZE INDEX
MODEL	DESCRIPTION	VACUUM			AIR		Kg.	
		INLET mm	CAP. m	VAC.	INLET mm	CAP. m		
V-117-850	Vacuum Only, Direct Crank	38 mm Cuff	15	737 mm Hg	-	-	13	1

V1175 SERIES MODELS

LESS HOSE								SIZE INDEX
MODEL	DESCRIPTION	VACUUM			AIR		Kg.	
		INLET mm	CAP. m	VAC.	INLET mm	CAP. m		
V-1175-850	Vacuum Only, Direct Crank	38 mm NPT	15	737 mm Hg	-	-	54	2
V-1175-850-C	Vacuum Only, Bevel Front Crank	38 mm NPT	15	737 mm Hg	-	-	55	3
V-1175-850-T	Vacuum Only, Bevel Top Crank	38 mm NPT	15	737 mm Hg	-	-	55	3
VA-1175-850*	Vacuum & Air, Rim Rewind	38 mm NPT	15	737 mm Hg	13 mm NPT	15	56	4
VA-1175-850-C*	Vacuum & Air, Bevel Front Crank	38 mm NPT	15	737 mm Hg	13 mm NPT	15	57	4
VA-1175-850-T*	Vacuum & Air, Bevel Top Crank	38 mm NPT	15	737 mm Hg	13 mm NPT	15	57	4

*VA models have dual plumbing for both vacuum & air applications, pneumatic swivel inlet is solid brass 13 mm NPT, 21 BAR swivel

V SERIES MODELS

LESS HOSE								SIZE INDEX
MODEL	DESCRIPTION	VACUUM			AIR		Kg.	
		INLET mm	CAP. m	VAC.	INLET mm	CAP. m		
V-SLPL-825	Vacuum Only, Spring Rewind	38 mm NPT	8	737 mm Hg	-	-	46	5
VA-DLPL-825*	Vacuum & Air, Spring Rewind	39 mm NPT	8	737 mm Hg	13 mm NPT	8	49	6

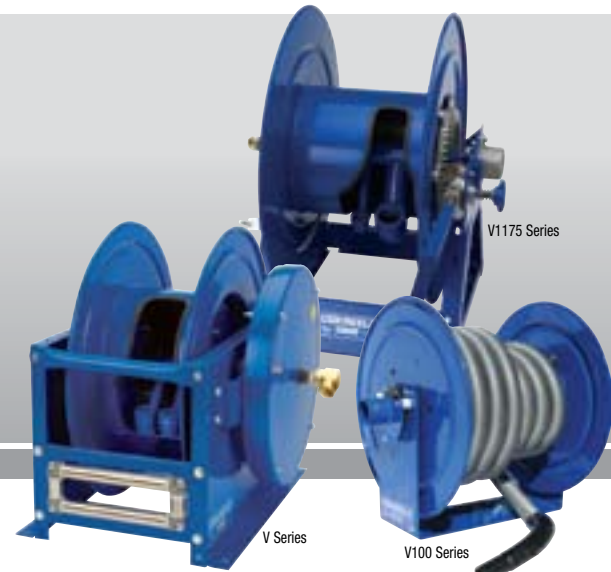
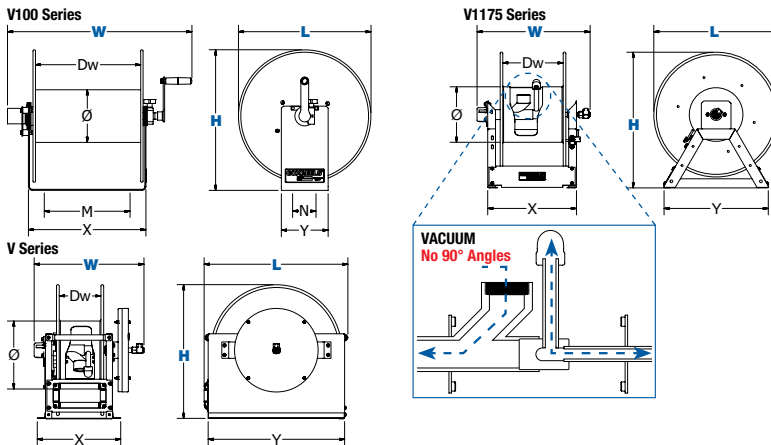
*VA models have dual plumbing for both vacuum & air applications, pneumatic swivel inlet is solid brass 13 mm NPT, 21 BAR swivel

REEL DIMENSIONS

Technical Data Sheets Available On Website

SIZE INDEX	W mm	H mm	L mm	X mm	Y mm	Ø mm	Dw mm
1	600	457	432	381	152	343	171
2	632	664	610	435	514	267	295
3	559	664	610	435	514	267	295
4	552	664	610	435	514	267	295
5	445	622	670	391	635	267	191
6	511	622	670	391	635	267	191

Overall Dimensions Base Drum



V SERIES :: REEL SPECIFICATIONS

V100 SERIES

- Direct hand crank reel with a solid one piece steel "U" shaped frame design
- Lightweight & compact design makes this reel the ideal solution for commercial vacuum systems
- Direct connect port for vacuum hose with bullet cuffs
- Adjustable tension brake to prevent "free-wheeling" during operation, transport or storage

V1175 SERIES

- Sturdy all welded "A" frame base with a double supported steel axle
- Bevel gear hand crank
- Removable crank handle for compact storage
- Low profile outlet riser & open drum slot design, provide a non-crimping, flat smooth hose wrap

V SERIES

- Enclosed factory tuned & matched cartridge-style spring motor
- Sturdy box-style frame with heavy duty steel cross supports to all four corners for extra rigidity
- Low profile outlet riser & open drum slot design, provide a non-crimping, flat smooth hose wrap
- Self-lubricated flange bearings & multi-position lock ratchet
- Lubricated factory matched cartridge-style spring motor
- Heavy duty 25 mm O.D non-corrosive stainless steel rollers
- Cast iron lock ring with non-sparking bronze pawl

SIGNATURE FEATURES

- Professional grade heavy duty steel construction
- Durable proprietary CPC™ powder coat process
- Rolled edges & ribbed discs provide strength & safety
- Leading 2-year manufacturer's limited warranty
- Made in the U.S.A. - Sold & Supported Worldwide

POSSIBLE FIELDS OF APPLICATION

- Vacuum Operation
- General Industrial
- Manufacturing Plants & Facilities
- Maintenance, Repair & Operations
- Construction Sites

ACCESSORIZE YOUR REEL :: PG 50

- O-Rings & Swivels
- Roller Brackets
- Hoses
- Assorted Reel Accessories



SPRING DRIVEN